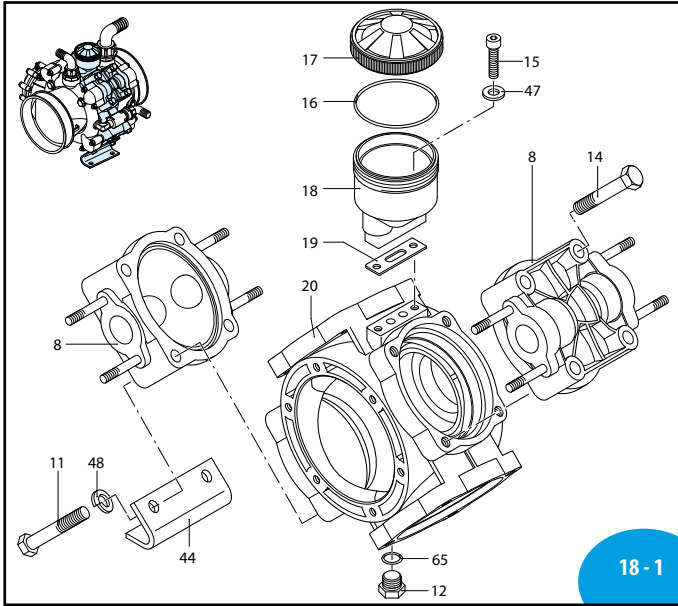
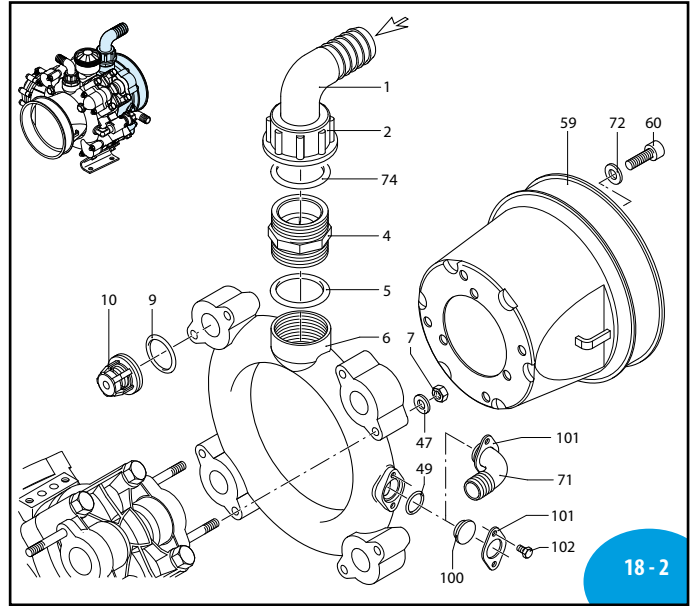


AR 160 bp - AR 185 bp (Ø 25 / Ø 32)



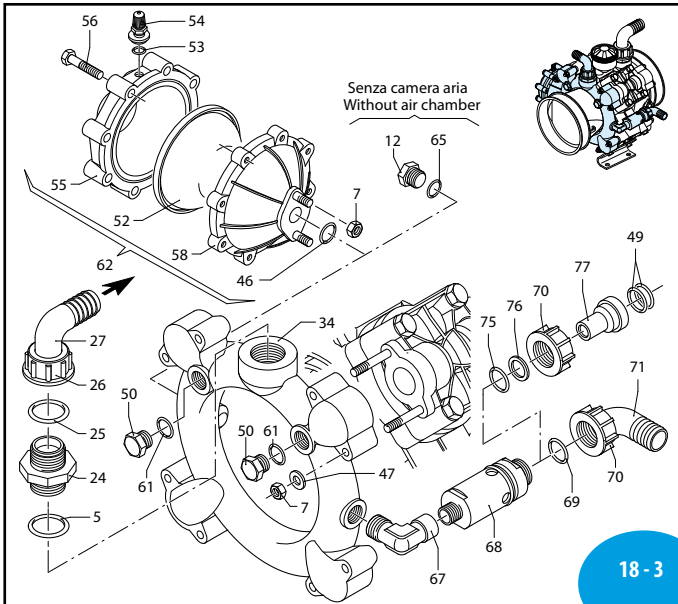
18 - 1

UN970013-IB



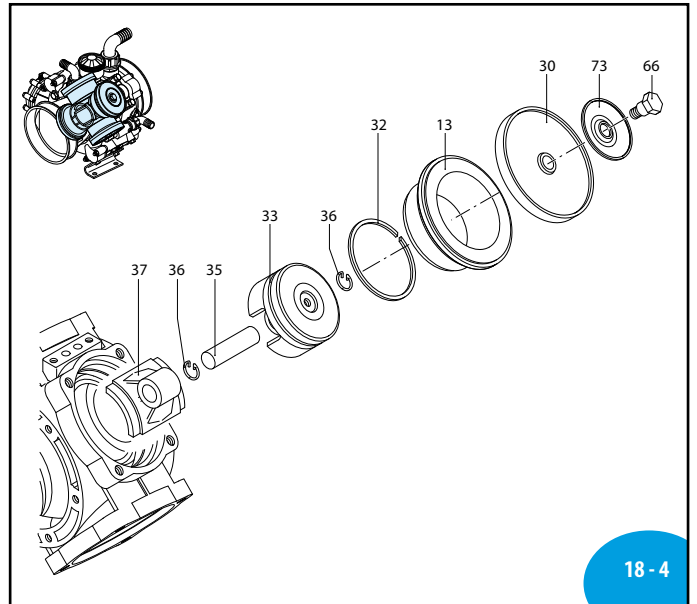
18 - 2

UN970218-IB



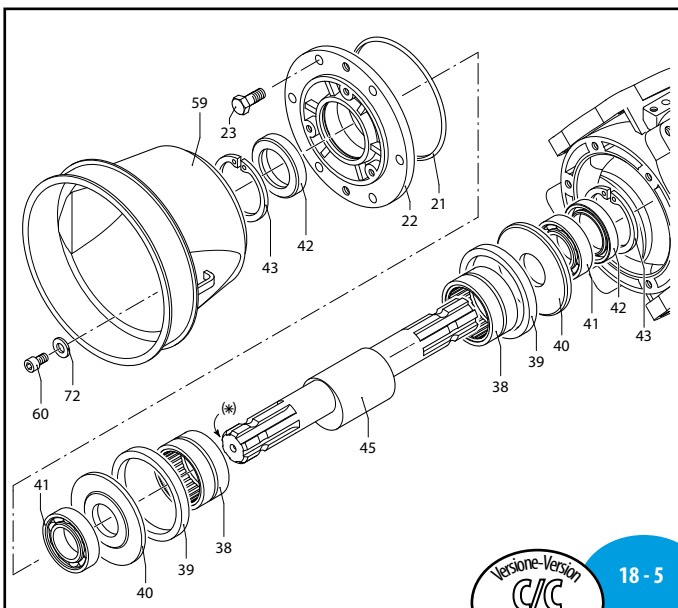
18 - 3

UN970014-ND



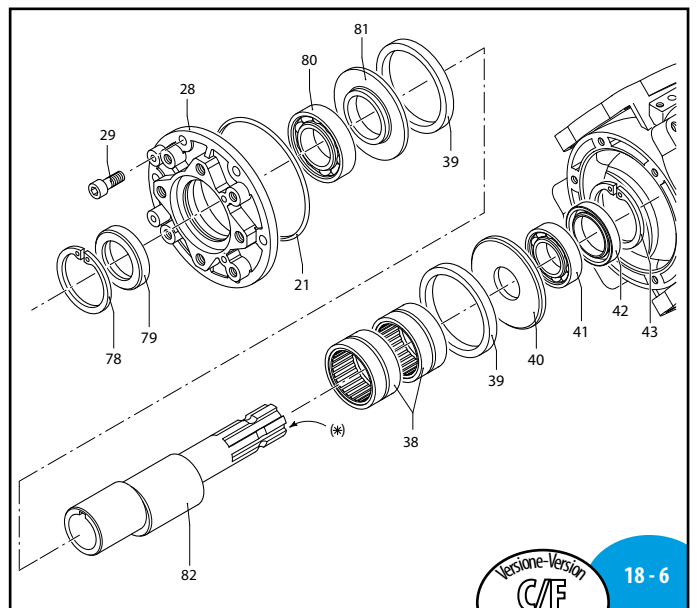
18 - 4

UN970219-DD



18 - 5

UN000714-IB

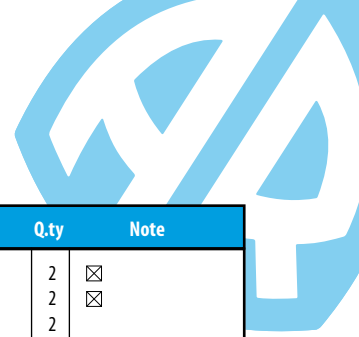


18 - 6

UN000715-IB

(Ø 25 / Ø 32)

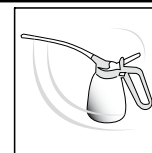
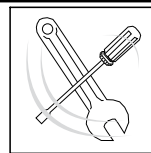
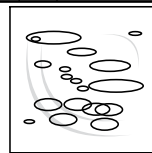
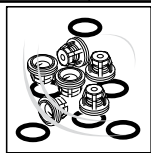
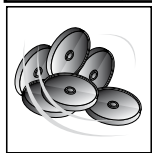
AR 160 bp - AR 185 bp (Ø 25 / Ø 32)



Bassa Pressione
Low Pressure

Pos.	Cod.	Descrizione	Description	Q.ty	Note
1	540550	Curva ø 40	Elbow	1	AR 160 bp
	760020	Curva ø 50	Elbow	1	AR 185 bp
2	540540	Girello 1"3/4 G	Ring nut	1	AR 160 bp
	760040	Girello 2" G	Ring nut	1	AR 185 bp
4	540530	Niples 1"1/4-1"3/4 G (M)	Threaded adapter	1	AR 160 bp
	760030	Niples 1"1/4-2" G (M)	Threaded adapter	1	AR 185 bp
5	250310	OR ø 36,14x2,62	O-Ring	2	
6	760220	Condotta aspirazione	Suction manifold	1	
7	380242	Dado M 8	Nut	18	Geomet ©19,62
8	750100	Testa porta valvole	Head	4	
9	680070	OR ø 31,5x4,25	O-Ring	8	
10	759051	Valvola completa	Complete valve	8	
11	750071	Vite TE M 12x70	Bolt	4	Geomet ©49,05
12	880530	Tappo 3/8" G	Plug	2	©19,62
13	750110	Camicia	Sleeve	4	AR 160 bp
	750115	Camicia	Sleeve	4	AR 185 bp
14	750061	Vite TE M 12x65	Bolt	12	Geomet ©49,05
15	680350	Vite TCEI M 8x35	Bolt	2	©19,62
16	1040060	OR ø 72,69x2,62	O-Ring	1	
17	750057	Tappo serbatoio nero	Black oil tank cap	1	AR 160 bp
	750052	Tappo serbatoio rosso	Red oil tank cap	1	AR 185 bp
18	750030	Serbatoio olio	Oil tank	1	
19	750040	Guarnizione serbatoio	Gasket	1	◇
20	760010	Corpo pompa	Pump body	1	
21	851360	OR ø 120,32x2,62	O-Ring	1	☒
22	680020	Supporto albero	Shaft support	1	⊕
23	160672	Vite TE M 10x25	Bolt	6	Geomet ☑ ©39,24
24	580170	Niples 1" - 1"1/4 G (M)	Threaded adapter	1	AR 160 bp
	540530	Niples 1"1/4 - 1"3/4 G (M)	Threaded adapter	1	AR 185 bp
25	550350	OR ø 23,81x2,62	O-Ring	1	AR 160 bp
	250310	OR ø 36,14x2,62	O-Ring	1	AR 185 bp
26	550242	Girello 1" G	Ring nut	1	AR 160 bp
	540540	Girello 1"3/4 G	Ring nut	1	AR 185 bp
27	550370	Curva ø 25	Elbow	1	AR 160 bp
	392130	Curva ø 35	Elbow	1	AR 185 bp
28	2420181	Supporto albero	Shaft support	1	⊕
29	621500	Vite TCEI M 10x25	Bolt	6	☑ ©39,24
	550080	Membrana	Diaphragm	4	Gomma
	550084	Membrana	Diaphragm	4	Viton
	550085	Membrana	Diaphragm	4	Desmopan
	550086	Membrana	Diaphragm	4	H.P.D.S.
32	500260	Segmento	Piston ring	4	
33	750122	Pistone	Piston	4	
34	760070	Condotta mandata	Manifold	1	
35	160700	Spinotto	Pin	4	
36	160691	Anellino spinotto	Pin ring	8	
37	760140	Biella	Connecting rod	4	
38	750090	Cuscinetto a rullini	Roller bearing	2	
39	750130	Anello biella	Con rod ring	2	
40	540040	Piastra distanziale	Spacer washer	2	

Pos.	Cod.	Descrizione	Description	Q.ty	Note
41	230350	Cuscinetto	Bearing	2	☒
42	160740	Anello tenuta	Seal ring	2	☒
43	200390	Anello seeger	Circlip	2	
44	760201	Piede	Base	2	
45	750170	Albero eccentrico	Crankshaft	1	AR 160 bp (AU)
	750174	Albero eccentrico	Crankshaft	1	AR 185 bp (AV)
46	390290	OR ø 29x3	O-Ring	1	☒
47	380243	Rosetta øi 8,5	Washer	18	Geomet
48	250143	Rosetta øi 12,5	Washer	4	Geomet
49	480440	OR ø 17,13x2,62	O-Ring	1	
50	330173	Tappo 1/2" G	Plug	2	Geomet ⊕ ©19,62
	550190	Semicamera aria	Semi air chamber	1	Gomma
	550191	Semicamera aria	Semi air chamber	1	Saturflon
	550192	Semicamera aria	Semi air chamber	1	Viton
	550193	Semicamera aria	Semi air chamber	1	H.P.D.S.
53	650542	Guarnizione	Gasket	1	
54	180020	Valvola di gonfiaggio	Air valve	1	
55	620232	Semisfera superiore	Upper air chamber	1	Nera / Black
56	621781	Vite TE M 8x40	Bolt	8	Geomet ©19,62
58	680180	Semisfera inferiore	Lower air chamber	1	
59	1500350	Protezione cardano	Cardan protection	2	
60	850251	Vite TCEI M 8x12	Bolt	6	Geomet ©19,62
61	180101	OR ø 17,5x2	O-Ring	2	
62	1552	Camera aria completa	Complete air chamber	1	
65	740290	OR ø 14x1,78	O-Ring	2	
66	580360	Perno membrana	Diaphragm pin	4	⊕ ©19,62
67	881560	Gomito 90° 1/2" G (M)-(F)	Elbow	1	■
68	1609000	Valvola di sicurezza	Safety valve	1	■
69	880831	OR ø 15,54x2,62	O-Ring	2	Viton
70	550450	Girello 3/4" G	Ring nut	1	
71	550460	Curva ø 18	Elbow	1	
72	390314	Rondella øi 8,5	Washer	6	Geomet
73	580370	Piattello	Plate	4	
74	250310	OR ø 36,14x2,62	O-Ring	1	AR 160 bp
	620210	OR ø 40,95x2,62	O-Ring	1	AR 185 bp
75	1150640	OR ø 17x3,5	O-Ring	1	
76	2420170	Rondella	Washer	1	
77	2420150	Raccordo	Fitting	1	
78	620330	Anello seeger	Circlip	1	
79	1800090	Anello tenuta	Seal ring	1	☒
80	230310	Cuscinetto	Bearing	1	☒
81	760510	Piastra distanziale	Spacer washer	2	
	760450	Albero ecc. "C/F" (ø25)	"C/F" (ø25) shaft	1	AR 160 bp (BX)
	760520	Albero ecc. "C/F" (ø32)	"C/F" (ø32) shaft	1	AR 160 bp (BS)
	760460	Albero ecc. "C/F" (ø25)	"C/F" (ø25) shaft	1	AR 185 bp (BZ)
	760530	Albero ecc. "C/F" (ø32)	"C/F" (ø32) shaft	1	AR 185 bp (BT)
100	2420120	Tappo flangia	Flange plug	1	
101	2420310	Flangia	Flange	1	
102	2460810	Vite TE M 6x12	Bolt	2	©9,81



KIT 2371	
Membrane gomma Buna diaphragms	
KIT 2372	
Membrane HPDS HPDS diaphragms	
KIT 2373	
Membrane Desmopan Desmopan diaphragms	
Pos.	Q.ty
30	4

KIT 2374	
Valvole Valves	
Pos.	Q.ty
9	8
10	8

KIT 1908	
OR O-Rings	
Pos.	Q.ty
2	1
13	6
18	6
21	2
30	1
32	1
35	1
43	6
60	2
61	1

KIT 1906 - AR 160 bp					
KIT 2375 - AR 185 bp					
Pronto intervento - Maintenance repair					
Pos.	Q.ty	Pos.	Q.ty	Pos.	Q.ty
1	1	21	1	73	2
2	1	24	1	74	1
4	1	25	1		
5	2	26	1		
9	8	27	1		
10	8	30	4		
16	1	42	2		
17	1	46	1		
18	1	52	1		
19	1	66	2		

Olio utilizzato	
Used oil	
Tipo - Type	Kg
Sae 30	1,2