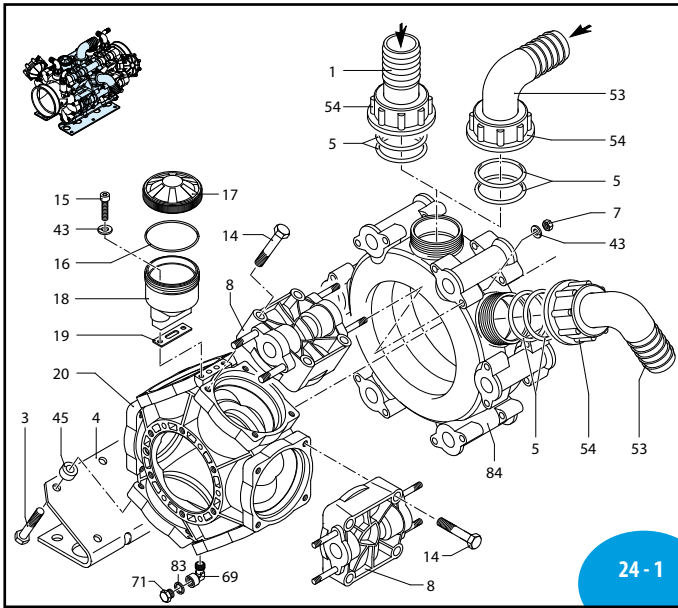
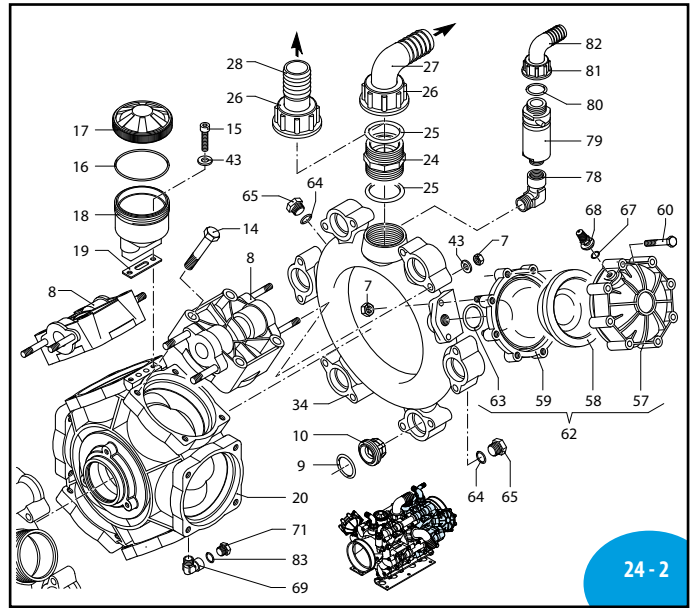


## AR 500 bp TWIN - AR 560 bp TWIN (Ø 32)



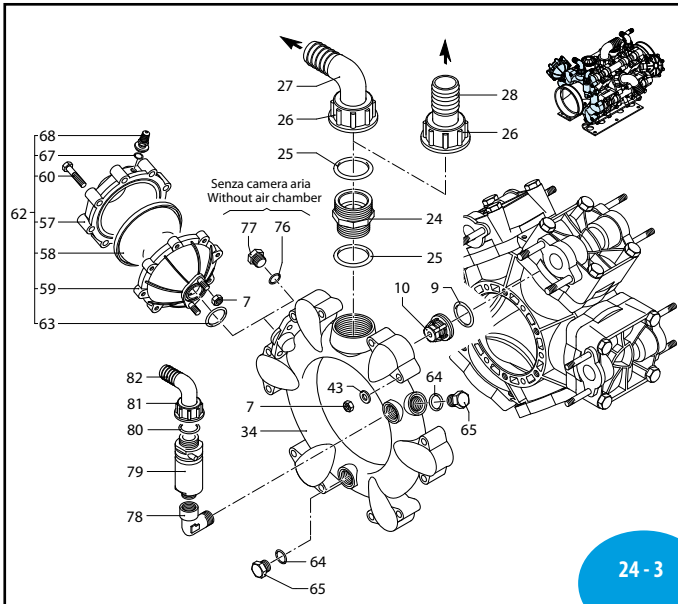
24-1

UN000112-IB



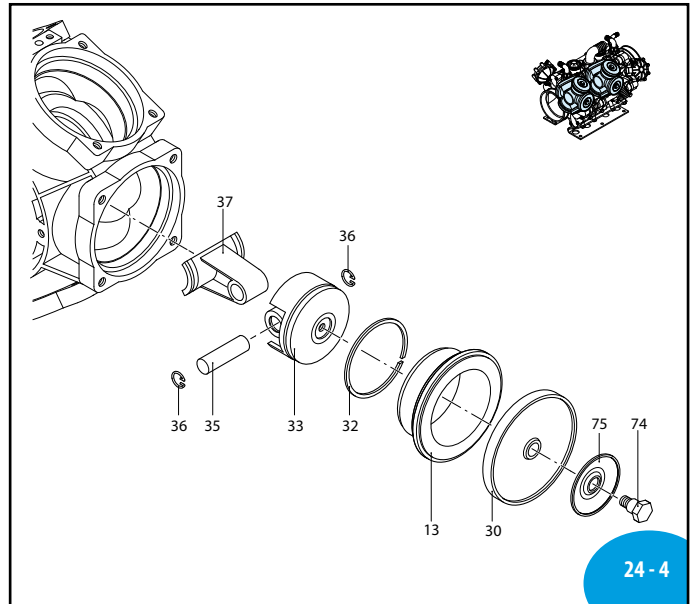
24-2

UN000113-DD



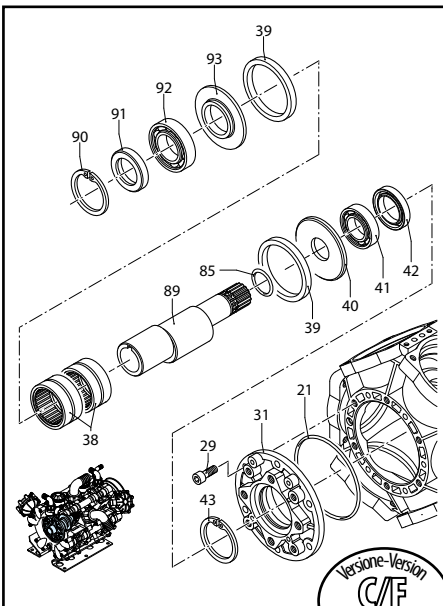
24-3

UN000114-IB

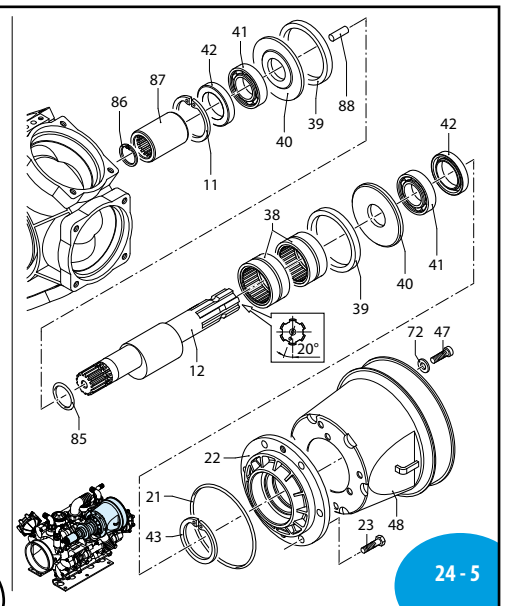
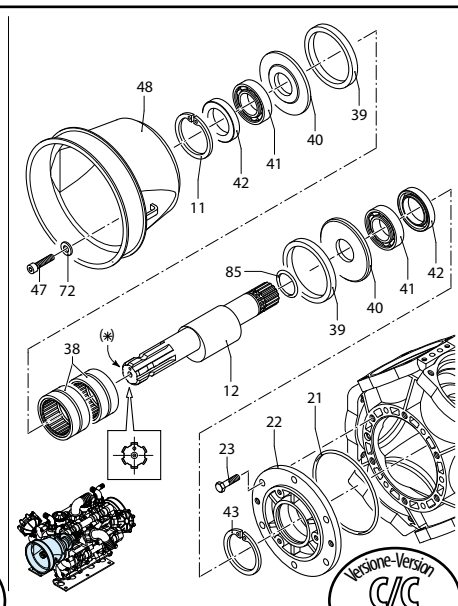


24-4

UN000115-DD

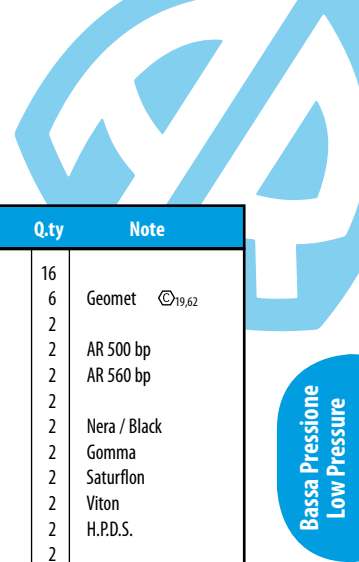


UN001220-IB



24-5

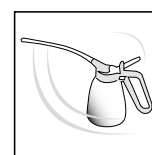
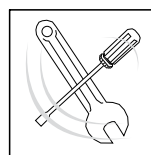
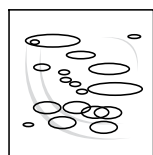
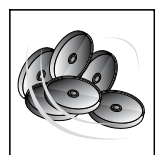
# AR 500 bp TWIN - AR 560 bp TWIN (Ø 32)



Bassa Pressione  
Low Pressure

Pos.	Cod.	Descrizione	Description	Q.ty	Note
1	750870	Portagomma ø 50	Hose tail	1	Optional
	750730	Portagomma ø 60	Hose tail	1	Optional
3	760190	Vite TE M 12x80	Bolt	16	Geomet ☉ <sub>49,05</sub>
4	750800	Piede	Base	2	
5	750740	OR ø 56,74x3,53	O-Ring	4	
7	380242	Dado M 8	Nut	52	Geomet ☉ <sub>19,62</sub>
8	750100	Testa porta valvole	Head	12	
9	680070	OR ø 31,5x4,25	O-Ring	24	
10	759051	Valvola completa	Complete valve	24	
11	200390	Anello seeger	Circlip	4	
12	750820	Albero eccentrico	Crankshaft	2	AR 500 bp (AY) ☒☒☒
	760131	Albero eccentrico	Crankshaft	2	AR 560 bp (AK) ☒☒☒
13	750110	Camicia	Sleeve	12	AR 500 bp
	750115	Camicia	Sleeve	12	AR 560 bp
14	750061	Vite TE M 12x65	Bolt	32	Geomet ☉ <sub>49,05</sub>
15	680350	Vite TCEI M 8x35	Bolt	4	☉ ☉ <sub>19,62</sub>
16	1040060	OR ø 72,69x2,62	O-Ring	2	
17	750057	Tappo serbatoio nero	Black oil tank cap	2	AR 500 bp
	750052	Tappo serbatoio rosso	Red oil tank cap	2	AR 560 bp
18	750030	Serbatoio olio	Oil tank	2	
19	750040	Guarnizione serbatoio	Gasket	2	◇
20	750010	Corpo pompa	Pump body	2	
21	851360	OR ø 120,32x2,62	O-Ring	2	☒
22	680020	Supporto albero	Shaft support	2	☉
23	160672	Vite TE M 10x25	Bolt	12	Geomet ☒ ☉ <sub>39,24</sub>
24	540530	Nipples 1"1/4-1"3/4 G (M)	Threaded adapter	2	
25	250310	OR ø 36,14x2,62	O-Ring	4	
26	540540	Girello 1"3/4 G	Ring nut	2	
27	392130	Curva ø 35	Elbow	2	
28	391930	Portagomma ø 35	Hose tail	2	Optional
29	621500	Vite TCEI M 10x25	Bolt	6	☒ ☉ <sub>39,24</sub>
	550080	Membrana	Diaphragm	12	Gomma
	550084	Membrana	Diaphragm	12	Viton
	550085	Membrana	Diaphragm	12	Desmopan
	550086	Membrana	Diaphragm	12	H.P.D.S.
31	2420181	Supporto albero	Shaft support	1	☉
32	500260	Segmento	Piston ring	12	
33	750122	Pistone	Piston	12	
34	750420	Condotto mandata	Manifold	2	
35	160700	Spinotto	Pin	12	
36	160691	Anellino spinotto	Pin ring	24	
37	750140	Biella	Connecting rod	12	
38	750090	Cuscinetto a rullini	Roller bearing	4	
39	750130	Anello biella	Con rod ring	4	
40	540040	Piastra distanziale	Spacer washer	4	
41	230350	Cuscinetto	Bearing	4	☒
42	160740	Anello tenuta	Seal ring	4	☒
43	380243	Rosetta øi 8,5	Washer	52	Geomet

Pos.	Cod.	Descrizione	Description	Q.ty	Note
45	760180	Distanziale piede	Spacer	16	
47	850251	Vite TCEI M 8x12	Bolt	6	Geomet ☉ <sub>19,62</sub>
48	1500470	Protezione cardano	Cardan protection	2	
	750850	Curva ø 50	Elbow	2	AR 500 bp
	750720	Curva ø 60	Elbow	2	AR 560 bp
54	750710	Girello 2"1/2 G	Ring nut	2	
57	620232	Semisfera superiore	Upper air chamber	2	Nera / Black
	550190	Semicamera aria	Semi air chamber	2	Gomma
	550191	Semicamera aria	Semi air chamber	2	Saturflon
	550192	Semicamera aria	Semi air chamber	2	Viton
	550193	Semicamera aria	Semi air chamber	2	H.P.D.S.
59	680180	Semisfera inferiore	Lower air chamber	2	
60	621781	Vite TE M 8x40	Bolt	16	Geomet ☉ <sub>19,62</sub>
62	1552	Camera aria completa	Complete air chamber	2	
63	390290	OR ø 29x3	O-Ring	2	☒
64	180101	OR ø 17,5x2	O-Ring	4	
65	330173	Tappo 1/2" G	Plug	4	Geomet ☉ <sub>19,62</sub>
67	650542	Guarnizione	Gasket	2	
68	180020	Valvola di gonfiaggio	Air valve	2	
69	750370	Gomito 1/4" G (M)-(F)	Elbow	2	☒
71	880581	Tappo 1/4" G	Plug	2	☉ ☉ <sub>19,62</sub>
72	390314	Rondella øi 8,5	Washer	6	Geomet
74	580360	Perno membrana	Diaphragm pin	12	☉ ☉ <sub>19,62</sub>
75	580370	Piattello	Plate	12	
76	740290	OR ø 14x1,78	O-Ring	1	
77	880530	Tappo 3/8" G	Plug	1	☉ <sub>19,62</sub>
78	881560	Gomito 90° 1/2" G (M)-(F)	Elbow	2	☒
79	1609000	Valvola di sicurezza	Safety valve	2	■
80	880831	OR ø 15,54x2,62	O-Ring	2	Viton
81	550450	Girello 3/4" G	Ring nut	2	
82	550460	Curva ø 18	Elbow	2	
83	880820	Rosetta øi 13	Washer	2	
84	750810	Condotto aspirazione	Suction manifold	1	
85	620030	OR ø 25,80x3,53	O-Ring	2	☒
86	760260	Anello seeger	Circlip	1	
87	760151	Giunto	Joint	1	☒☒
88	760161	Perno collegamento	Pin	1	☒☒
	760470	Albero ecc. "C/F" (ø32)	"C/F" (ø32) shaft	1	AR 500 bp (BK) ☒☒☒
	760480	Albero ecc. "C/F" (ø32)	"C/F" (ø32) shaft	1	AR 560 bp (BY) ☒☒☒
90	620330	Anello seeger	Circlip	1	
91	1800090	Anello tenuta	Seal ring	1	☒
92	230310	Cuscinetto	Bearing	1	☒
93	760510	Piastra distanziale	Spacer washer	2	



KIT 1926	
Membrane gomma Buna diaphragms	
KIT 1975	
Membrane HPDS HPDS diaphragms	
KIT 2310	
Membrane Desmopan Desmopan diaphragms	
Pos.	Q.ty
30	6

KIT 2114	
Valvole Valves	
Pos.	Q.ty
9	12
10	12

KIT 2431	
OR O-Rings	
Pos.	Q.ty
5	4
9	24
16	2
25	4
63	2
64	4
67	2
76	1
85	2

KIT 2432					
Pronto intervento Maintenance repair					
Pos.	Q.ty	Pos.	Q.ty	Pos.	Q.ty
9	24	27	2		
10	24	30	12		
16	2	42	2		
17	2	58	2		
18	2	74	12		
19	2	75	12		
21	2				
24	2				
25	4				
26	2				

Olio utilizzato Used oil	
Tipo - Type	Kg
Sae 30w	4,6