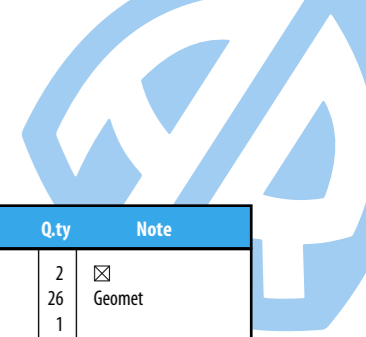
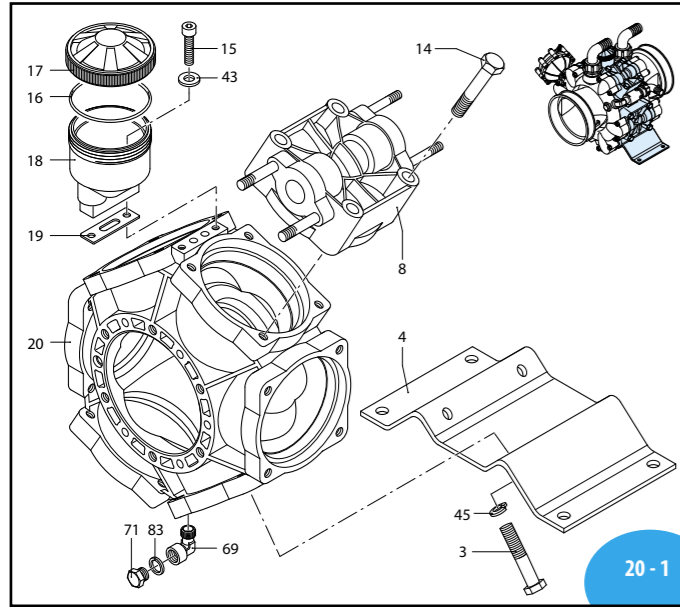


AR 215 bp - AR 250 bp - AR 280 bp (Ø 25 / Ø 32)

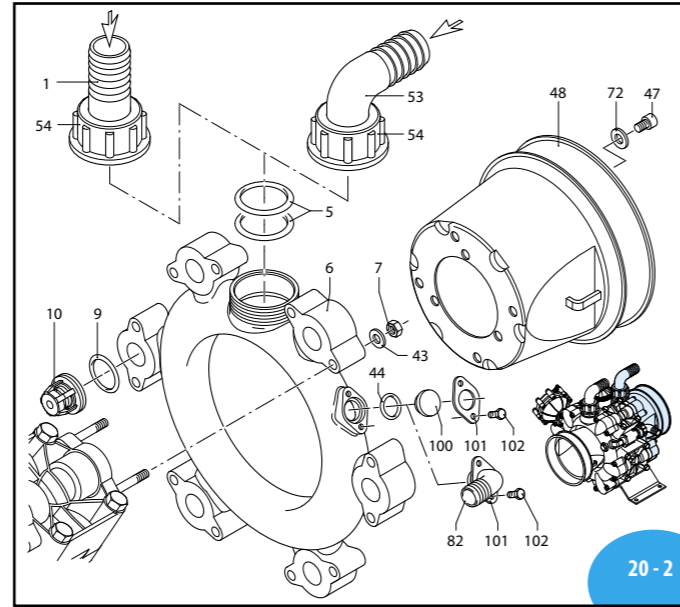
AR 215 bp - AR 250 bp - AR 280 bp (Ø 25 / Ø 32)



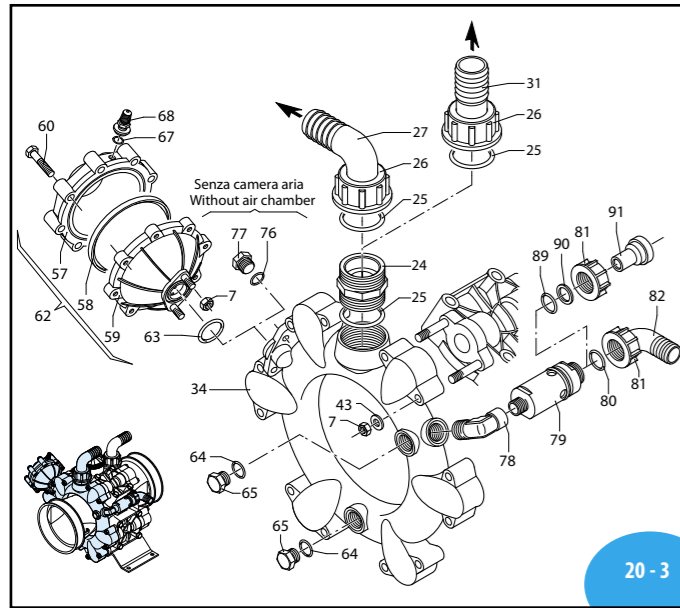
Bassa Pressione
Low Pressure



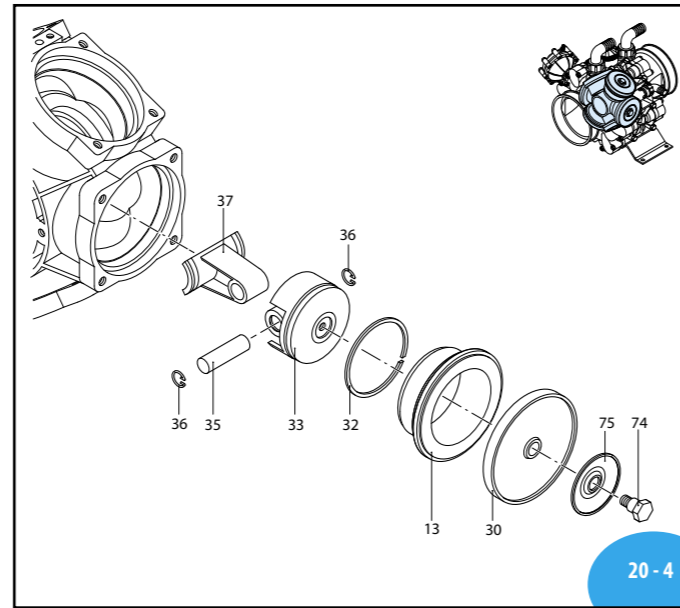
UN970018-IB



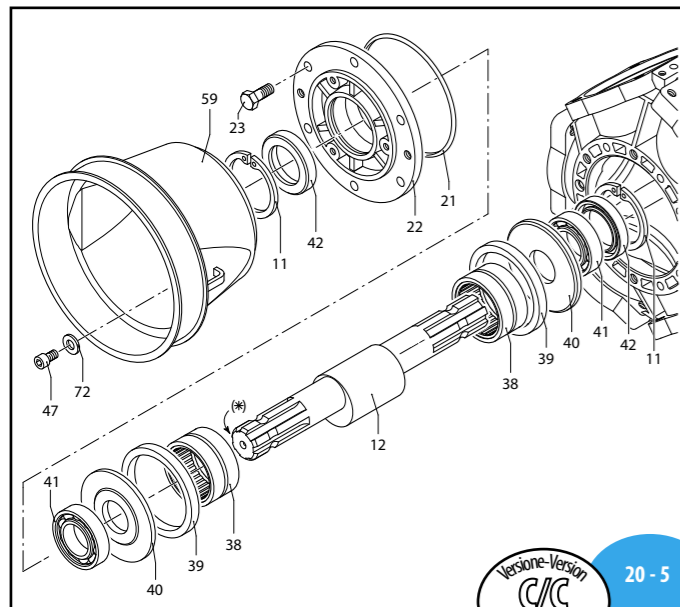
UN980024-IB



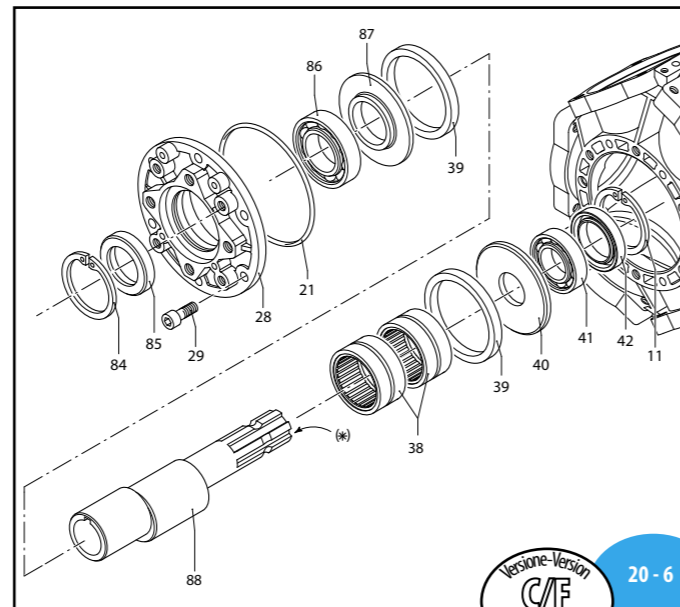
UN970019-LC



UN970022-DD



UN000725-IB



UN000726-IB

Pos.	Cod.	Descrizione	Description	Q.ty	Note
1	750870	Portagomma ø 50	Hose tail	1	Optional
	750730	Portagomma ø 60	Hose tail	1	Optional
3	750071	Vite TE M 12x70	Bolt	4	Geomet Ⓞ49,05
4	750200	Piede corpo pompa	Base	1	
5	750740	OR ø 56,74x3,53	O-Ring	2	
6	750860	Condotto aspirazione	Suction manifold	1	
7	380242	Dado M 8	Nut	26	Geomet Ⓞ19,62
8	750100	Testa porta valvole	Head	6	
9	680070	OR ø 31,5x4,25	O-Ring	12	
10	759051	Valvola completa	Complete valve	12	
11	200390	Anello seeger	Circlip	2	
	750176	Albero eccentrico	Crankshaft	1	AR 215 bp (AZ)
	750170	Albero eccentrico	Crankshaft	1	AR 250 bp (AU)
	750174	Albero eccentrico	Crankshaft	1	AR 280 bp (AV)
	750117	Camicia	Sleeve	6	AR 215 bp
	750110	Camicia	Sleeve	6	AR 250 bp
	750115	Camicia	Sleeve	6	AR 280 bp
14	750061	Vite TE M 12x65	Bolt	20	Geomet Ⓞ49,05
15	680350	Vite TCEI M 8x35	Bolt	2	Ⓞ19,62
16	1040060	OR ø 72,69x2,62	O-Ring	1	
	750053	Tappo serbatoio verde	Green oil tank cap	1	AR 215 bp
	750057	Tappo serbatoio nero	Black oil tank cap	1	AR 250 bp
	750052	Tappo serbatoio rosso	Red oil tank cap	1	AR 280 bp
18	750030	Serbatoio olio	Oil tank	1	
19	750040	Guarnizione serbatoio	Gasket	1	Ⓞ
20	750010	Corpo pompa	Pump body	1	Ⓞ
21	851360	OR ø 120,32x2,62	O-Ring	1	Ⓞ
22	680020	Supporto albero	Shaft support	1	Ⓞ
23	160672	Vite TE M 10x25	Bolt	6	Geomet Ⓞ39,24
24	540530	Nipples 1"1/4-1"3/4 G (M)	Threaded adapter	1	
25	250310	OR ø 36,14x2,62	O-Ring	2	
26	540540	Girello 1"3/4 G	Ring nut	1	
27	392130	Curva ø 35	Elbow	1	
28	2420181	Supporto albero	Shaft support	1	Ⓞ
29	621500	Vite TCEI M 10x25	Bolt	6	Ⓞ39,24
	550080	Membrana	Diaphragm	6	Gomma
	550084	Membrana	Diaphragm	6	Viton
	550085	Membrana	Diaphragm	6	Desmopan
	550086	Membrana	Diaphragm	6	H.P.D.S.
31	391930	Portagomma ø 35	Hose tail	1	Optional
32	500260	Segmento	Piston ring	6	
33	750122	Pistone	Piston	6	
34	750420	Condotto mandata	Manifold	1	
35	160700	Spinotto	Pin	6	
36	160691	Anellino spinotto	Pin ring	12	
37	750140	Biella	Connecting rod	6	
38	750090	Cuscinetto a rullini	Roller bearing	2	
39	750130	Anello biella	Con rod ring	2	
40	540040	Piastra distanziale	Spacer washer	2	
41	230350	Cuscinetto	Bearing	2	Ⓞ

Pos.	Cod.	Descrizione	Description	Q.ty	Note
42	160740	Anello tenuta	Seal ring	2	Ⓞ
43	380243	Rosetta øi 8,5	Washer	26	Geomet
44	480440	OR ø 17,13x2,62	O-Ring	1	
45	250143	Rosetta øi 12,5	Washer	4	Geomet
47	850251	Vite TCEI M 8x12	Bolt	6	Geomet Ⓞ19,62
48	1500350	Protezione cardano	Cardan protection	2	
	750850	Curva ø 50	Elbow	1	AR 215 bp
	750850	Curva ø 50	Elbow	1	AR 250 bp
	750720	Curva ø 60	Elbow	1	AR 280 bp
54	750710	Girello 2"1/2 G	Ring nut	1	
57	620232	Semisfera superiore	Upper air chamber	1	Nera / Black
	550190	Semicamera aria	Semi air chamber	1	Gomma
	550191	Semicamera aria	Semi air chamber	1	Saturflon
	550192	Semicamera aria	Semi air chamber	1	Viton
	550193	Semicamera aria	Semi air chamber	1	H.P.D.S.
59	680180	Semisfera inferiore	Lower air chamber	1	
60	621781	Vite TE M 8x40	Bolt	8	Geomet Ⓞ19,62
	1552	Camera aria completa	Complete air chamber	1	
63	390290	OR ø 29x3	O-Ring	1	Ⓞ
64	180101	OR ø 17,5x2	O-Ring	2	
65	330173	Tappo 1/2" G	Plug	2	Geomet Ⓞ19,62
67	650542	Guarnizione	Gasket	1	
68	180020	Valvola di gonfiaggio	Air valve	1	
69	750370	Gomito 1/4" G (M)-(F)	Elbow	1	Ⓞ
71	880581	Tappo 1/4" G	Plug	1	Ⓞ19,62
72	390314	Rondella øi 8,5	Washer	6	Geomet
74	580360	Perno membrana	Diaphragm pin	6	Ⓞ19,62
75	580370	Piattello	Plate	6	
76	740290	OR ø 14x1,78	O-Ring	1	
77	880530	Tappo 3/8" G	Plug	1	Ⓞ19,62
78	881560	Gomito 90° 1/2" G (M)-(F)	Elbow	1	Ⓞ
79	1609000	Valvola di sicurezza	Safety valve	1	
80	880831	OR ø 15,54x2,62	O-Ring	2	Viton
81	550450	Girello 3/4" G	Ring nut	2	
82	550460	Curva ø 18	Elbow	1	
83	880820	Rosetta øi 13	Washer	1	
84	620330	Anello seeger	Circlip	1	
85	1800090	Anello tenuta	Seal ring	1	Ⓞ
86	230310	Cuscinetto	Bearing	1	Ⓞ
87	760510	Piastra distanziale	Spacer washer	2	
	760450	Albero ecc. "C/F" (ø25)	"C/F" (ø25) shaft	1	AR 250 bp (BX)
	760520	Albero ecc. "C/F" (ø32)	"C/F" (ø32) shaft	1	AR 250 bp (BS)
	760460	Albero ecc. "C/F" (ø25)	"C/F" (ø25) shaft	1	AR 280 bp (BZ)
	760530	Albero ecc. "C/F" (ø32)	"C/F" (ø32) shaft	1	AR 280 bp (BT)
89	1150640	OR ø 17x3,5	O-Ring	1	
90	2420170	Rondella	Washer	1	
91	2420150	Raccordo valvola sic.	Safety valve fitting	1	
100	2420120	Tappo flangia	Flange plug	1	
101	2420310	Flangia	Flange	1	
102	2460810	Vite TE M 6x12	Bolt	2	Ⓞ9,81

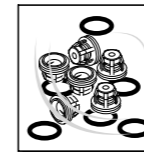


KIT 1926
Membrane gomma
Buna diaphragms

Pos.	Q.ty
9	12
10	12

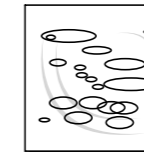
KIT 1975
Membrane HPDS
HPDS diaphragms

Pos.	Q.ty
30	6



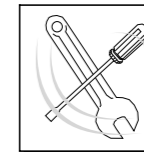
KIT 2114
Valvole
Valves

Pos.	Q.ty
9	12
10	12



KIT 1904
OR
O-Rings

Pos.	Q.ty
5	1
9	12
16	1
25	2
56	1
63	1
64	2
67	1
76	1



KIT 2028
Pronto intervento
Maintenance repair

Pos.	Q.ty	Pos.	Q.ty	Pos.	Q.ty
9	12	27	1		
10	12	30	6		
16	1	42	2		
17	1	58	1		
18	1	74	6		
19	1	75	6		
21	1				
24	1				
25	2				
26	1				



Olio utilizzato
Used oil

Tipo - Type	Kg
Sae 20w 40	2,3